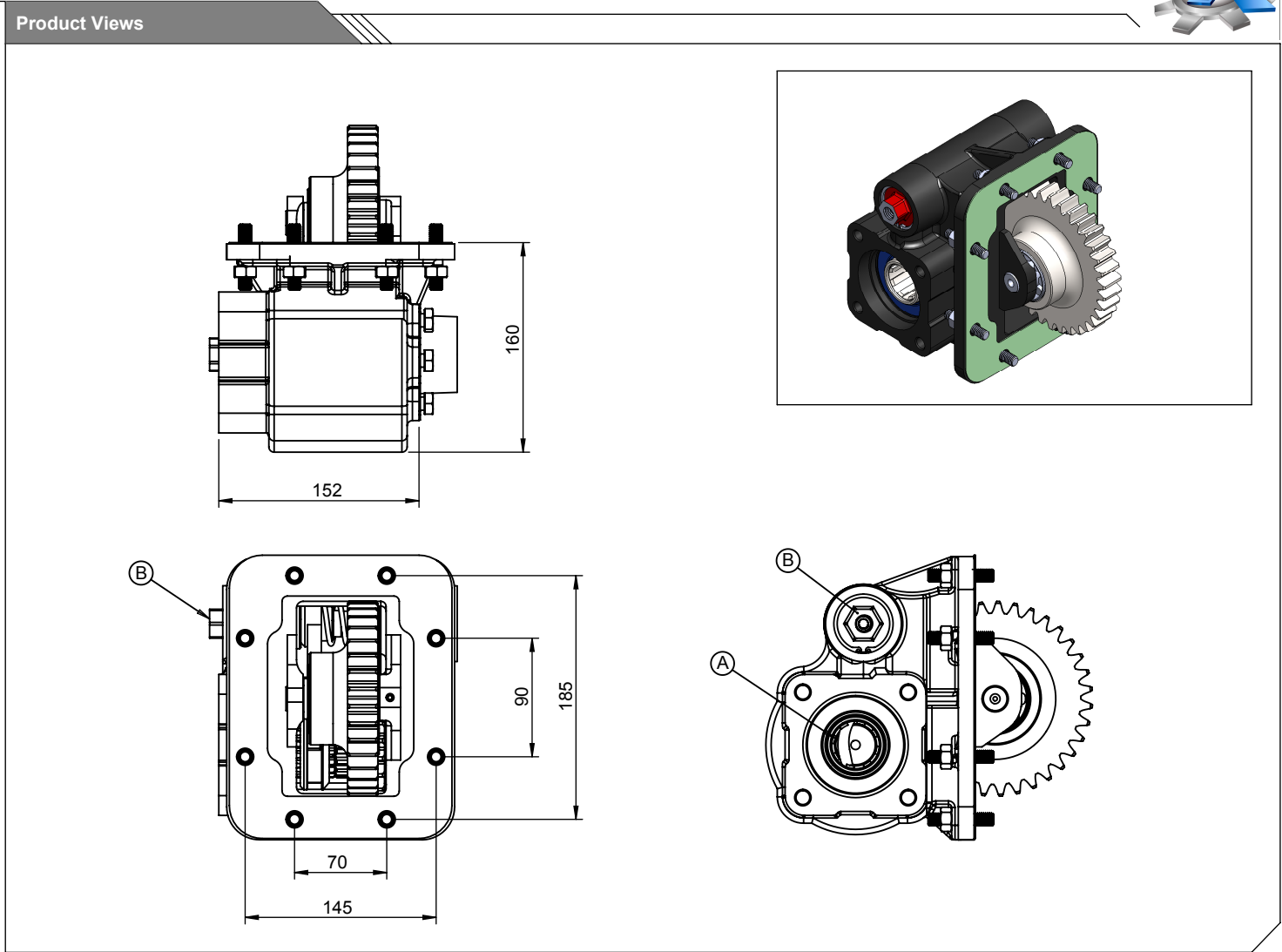


<b>Vehicle Type</b>	DAEWOO F8C5A / F3C5F / E3D4F
<b>Gearbox Type</b>	K805 P (5.455) ( HYUNDAI DYMOŞ ŞANZIMAN )

<b>Product Code</b>	<b>DAW.02.K805P</b>
---------------------	---------------------



<b>Component Details</b>	
<p>A : PTO Output (Standard DIN 5462 8X32X36 ISO 4 Bolt)  Direct mounting UNI 3 bolt mtg. adapter  Drive flange</p> <p>B : Air Inlet R 1/4"</p>	

<b>Technical Details</b>					
Power	Maximum Torque		Input/Output	Mounting Side	Control Type
	kW	Nm			
46.3	442	45	1/1.66	Left	Pneumatic
				<b>Weight</b>	<b>Sense of Rotation</b>
				20 kg	Opposite of Input